

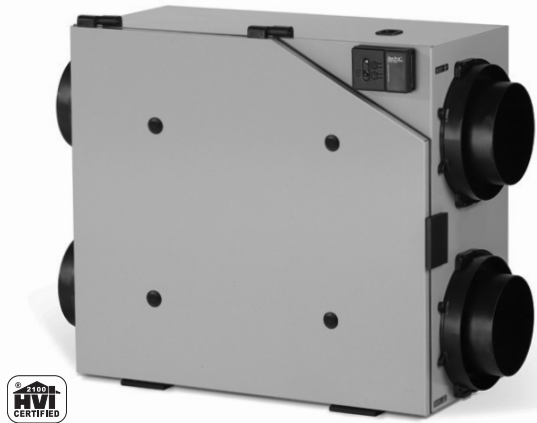
# ENGINEERING DATA

## PH 7.15 HRV model

Heat Recovery Ventilator

30 CFM (14 L/s) to 160 CFM (76 L/s)

Item No. 463000 (PH 7.15 Greentek)



### FEATURES

- 4 operating modes (Econo\*, Intermittent, Continuous & High)
- 100% variable speed
- Integrated door pressure balancing taps
- ISF™ 6" (152.5 mm) dia. collar system
- Proportional defrost sequence
- SPM™ Single Person Mounting system
- Permanent lubrication PSC motors

*\*Econo ventilation mode offered when Vectra Series wall controls model EHC1.0TC or EHC1.5DC are connected to system.*

### APPLICABLE REQUIREMENTS

- HVI Certified
- CSA C439 Standard - Packaged Heat/Energy Recovery Ventilators (HRV/ERV)
- CSA Standard CSA 22.2 N°113 - Fans and ventilators
- UL Standard 1812. Ducted Heat/Energy Recovery Ventilators (HRV/ERV)

### OPTIONAL ACCESSORIES

- MERV 8 Inline 6" (152.5 mm) filter box
- R-2 Style high performance supply & exhaust ventilation hoods

### CABINET

- 20 gauge galvanized pre-painted steel corrosion resistant
- Cabinet liner: Molded Expanded Polystyrene (EPS) Rated UL94 HF-1

### ELECTRONIC COMPONENTS

- Electrical Input Voltage: 120 VAC/60Hz / 1-Phase.
- Electrical Input Current: 1.5 Amps Max
- Circuit output voltage: 5VDC nominal
- Integrated auxiliary furnace interlock relay
- RoHs compliant

### MOTORS

- Two permanent sealed, lubricated variable speed PSC Motors. (Maintenance free)
- Maximum RPM 2695 / Horsepower; 3/32 HP. Class F, thermally protected
- CSA 22.2 #113-10, clause 8.3.5 – Backup protection – totally enclosed motor

### POLYPROPYLENE HRV CORE

- Dimensions 12" x 12" x 10" depth (304.8 mm x 304.8 mm x 254 mm)
- Corrugated cross-flow polypropylene layers, rated UL94 HB & HF-1
- Cross-flow that transfers sensible heat
- Endure harsh temperatures; effective in cold climates
- Water washable

### DUOTROL™ BALANCING SYSTEM

- The system is balanced by adjusting each motor independently
- No balancing dampers required
- Connection terminals for optional wall controls
- Quiet and energy efficient

### DEFROST

- Advanced Proportional supply fan shut down defrost sequence
- Defrost type: Evacuation  
Activated automatically at -5°C (23°F)

### DUCT CONNECTIONS

- Insert Slide & Fix (ISF™), removable collars system
- Four (4) 6" (152.5 mm) dia. round double collar.

### MOUNTING

- Adjustable mounting strap system

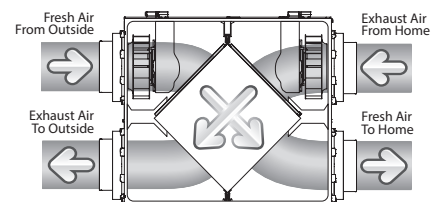
### FILTERS

- Two (2) Fiberbond washable - 11<sup>1</sup>/<sub>16</sub>" x 9<sup>3</sup>/<sub>4</sub>" x 5<sup>8</sup>/<sub>16</sub>" (297 mm x 248 mm x 15.9 mm)
- UL Class 2

### WARRANTY

- 10 year limited warranty on motors
- 5 year limited warranty on parts
- Lifetime limited warranty on Heat Recovery Core

### AIRFLOW



Greentek  
50 Kanalfakt Way,  
Bouctouche, NB Canada E4S 3M5

Toll free: 1 888 724-5211  
Fax: 1 (866) 426-7430

Visit us at: [www.greentek.ca](http://www.greentek.ca)

463711 / OCT 2018



Greentek reserves the right to modify a product, without prior notice, whether in design, colour or specifications, in order to offer at all times a quality product that is highly competitive. Please consult your national and local building codes to find out whether the installation of electrical products requires the services of a certified technician or electrician. Greentek™ is a registered Trademark used under license by Systemair Inc. All rights reserved.

# ENGINEERING DATA PH 7.15 HRV

## SPECIFICATIONS PH 7.15 HRV

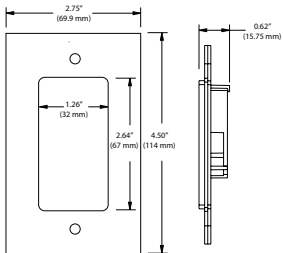
<b>Dimensions</b>	29½" x 22½" x 11⅝" (749.3 mm x 571.5 mm x 289 mm)
<b>Duct Connections</b>	Four (4) 6" (152.5 mm) dia. ISF double collar system
<b>Airflow Rates</b>	30 CFM (14 L/s) to 160 CFM (76 L/s)
<b>Motor</b>	Two (2) PSC variable speed backward curved
<b>Voltage</b>	120 VAC @ 60 Hz / 1 Phase
<b>Amperage</b>	1.5 A / 142 watts
<b>Type of heat exchanger</b>	Cross-flow polypropylene
<b>Exchange surface</b>	85 ft² (7.9 m²)
<b>Defrost type</b>	Evacuation
<b>Filters</b>	Two (2) Fiberbond washable
<b>Drain Connection</b>	½" (12.7 mm)
<b>DuoTrol</b>	Integrated Balancing System
<b>Actual Weight</b>	43 lbs (19.5 Kg)
<b>Shipping Weight</b>	48.5 lbs (22 Kg)
<b>Certification</b>	HVI, cCSAUS, CSA 22.2 N°.113 Complies with UL 1812

## OPTIONAL WALL CONTROLS

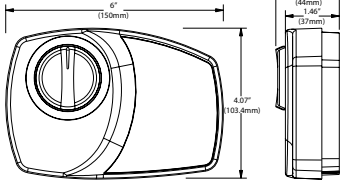
<b>Digital</b>	EHC1.0TC and EHC1.5DC
<b>Mechanical</b>	RD-1, RD-2, RD-3P and RD-4P
<b>Timers</b>	T3 (20, 40, 60 minutes)

## WALL CONTROL DIMENSIONS

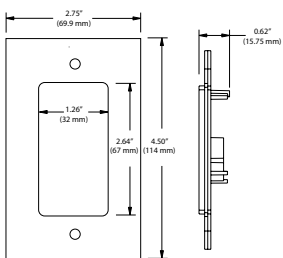
### EHC1.0 & EHC1.5



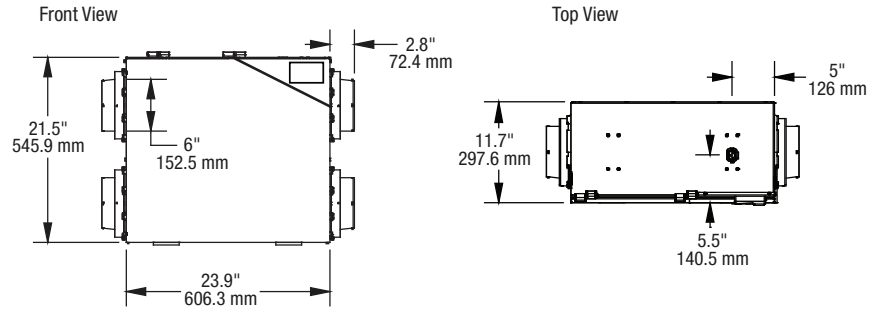
### Mechanical



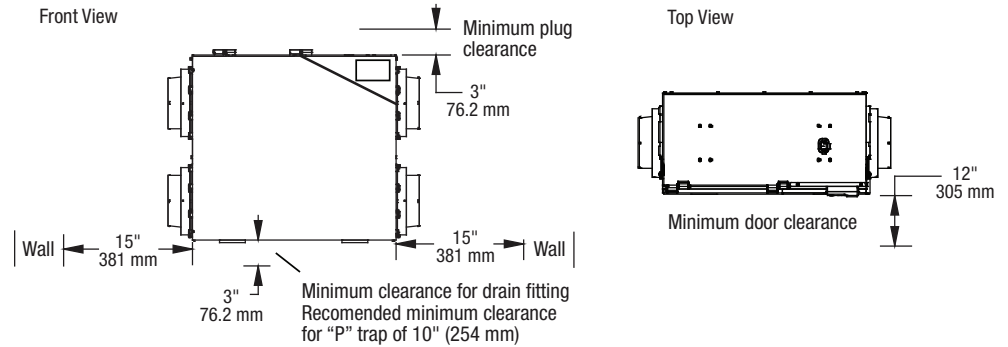
### T3 Timer



## DIMENSIONS DATA

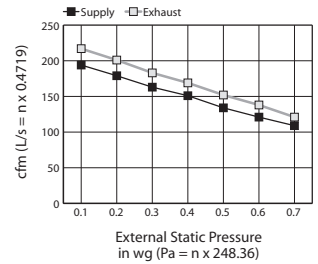


## MINIMUM CLEARANCE DATA



## VENTILATION PERFORMANCE

External Static Pressure	Net Supply Air Flow		Gross Air Flow Supply		Gross Air Flow Exhaust		
	Pa	in. wg	L/s	CFM	L/s	CFM	
25	0.1	91	193	91	194	103	217
50	0.2	84	178	85	179	95	201
75	0.3	77	163	77	163	86	183
100	0.4	71	150	71	151	80	169
125	0.5	63	133	63	134	71	152
150	0.6	57	120	57	121	66	138
175	0.7	51	109	51	109	57	121



## ENERGY PERFORMANCE

	Supply Temperature		Net Air Flow		Power Consumed	Sensible Recovery Efficiency	Adjusted Sensible Recovery Efficiency
	°C	°F	L/s	CFM	Watts	SRE %	ASRE %
<b>HEATING</b>	0	32	31	65	72	66	73
	0	32	39	83	80	63	69
	0	32	50	107	94	60	66
	-25	-13	35	74	72	56	59

Quoted by:	Date:
Project:	Remarks:
Quantity:	
Model:	
Site:	
Architect:	
Engineer:	
Contractor:	