

ENGINEERING DATA

C 3.14 HRV model

Heat Recovery Ventilator

30 CFM (14 L/s) to 140 CFM (66 L/s)

Item No. 463002 (C 3.14 Greentek)



FEATURES

- 4 operating modes (Intermittent, Continuous, Recirculation* & High)
- 100% variable speed
- 5" (127 mm) oval collar system
- Proportional defrost sequence
- Single person mounting system
- Permanent lubrication of PSC motors
- Intergrated balancing taps in door

* Recirculation mode available with optional Vectra EHC 1.5 Control

APPLICABLE REQUIREMENTS

- HVI Certified
- CSA C439 Standard - Packaged Heat/Energy Recovery Ventilators (HRV/ERV)
- CSA Standard CSA 22.2 N^o.113 - Fans and ventilators
- UL Standard 1812. Ducted Heat/Energy Recovery Ventilators (HRV/ERV)
- Energy Star®, SRE and fan efficacy minimum requirements, for packaged Heat and Energy Recovery Ventilators.

OPTIONAL ACCESSORIES

- MERV 8 Inline 6" (152.5 mm) filter box
- Matrix 2 in 1 high performance concentric ventilation hood
- R-2 Style high performance supply & exhaust ventilation hoods

CABINET

- 20 gauge galvanized pre-painted steel corrosion resistant
- Cabinet liner: Molded Expanded Polystyrene (EPS) Rated UL94 HF-1

ELECTRONIC COMPONENTS

- Electrical Input Voltage: 120 VAC/60Hz / 1-Phase.
- Electrical Input Current: 1.0 Amps Max
- Circuit output voltage: 5VDC nominal
- Integrated auxiliary furnace interlock relay
- RoHs compliant

MOTORS

- Two permanent sealed, lubricated variable speed PSC Motors. (Maintenance free)
- Maximum RPM 2630 / Horsepower; 3/32 HP. Class F, thermally protected
- CSA 22.2 #113, clause 8.3.5
– Backup protection – totally enclosed motor

POLYPROPYLENE HRV CORE

- Dimensions 10" x 10" x 12.8" depth (254 mm x 254 mm x 325 mm)
- Corrugated cross-flow polypropylene layers, rated UL94 HB & HF-1
- Cross-flow that transfers sensible heat
- Endure harsh temperatures; effective in cold climates
- Water washable

DUOTROL™ BALANCING SYSTEM

- The system is balanced by adjusting each motor independently
- No balancing dampers required
- Connection terminals for optional wall controls
- Quiet and energy efficient

DEFROST

- Advanced Proportional defrost sequence
- Defrost type: Recirculation
Activated automatically at -5°C (23°F)

DUCT CONNECTIONS

- Four (4) 5" (127 mm) oval double collar

MOUNTING

- Adjustable mounting strap system

FILTERS

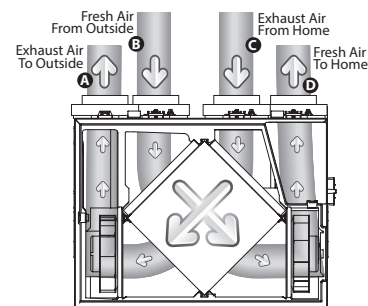
- Two (2) Fiberbond washable - 12.8" x 10" x 5/8" (325 mm x 254 mm x 15.9 mm)
- UL Class 2

WARRANTY

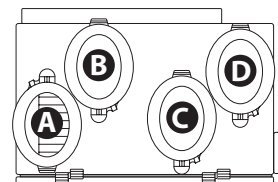
- 5 year limited warranty on motors
- 5 year limited warranty on parts
- Lifetime limited warranty on Heat Recovery Core

AIRFLOW

Front View



Top View



Greentek
50 Kanalfakt Way,
Boucctouche, NB Canada E4S 3M5

Toll free: 1 888 724-5211
Fax: 1 (866) 426-7430

Visit us at: www.greentek.ca

463681 / SEPT2018



Greentek reserves the right to modify a product, without prior notice, whether in design, colour or specifications, in order to offer at all times a quality product that is highly competitive. Please consult your national and local building codes to find out whether the installation of electrical products requires the services of a certified technician or electrician. Greentek™ is a registered Trademark used under license by Systemair Inc. All rights reserved.

ENGINEERING DATA C 3.14 HRV

SPECIFICATIONS C 3.14 HRV

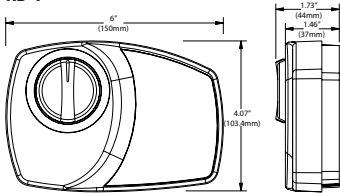
Dimensions	23 ³ / ₃₂ " x 17 ¹³ / ₃₂ " x 15 ⁵ / ₆₄ " (587 mm x 442 mm x 401 mm)
Duct Connections	Four (4) 5" (127 mm) oval
Airflow Rates	30 CFM (14 L/s) to 140 CFM (66 L/s)
Motor	Two (2) PSC variable speed backward curved
Voltage	120 VAC @ 60 Hz / 1 Phase
Amperage	1.0 A / 100 watts
Type of heat exchanger	Cross-flow Polypropylene
Exchange surface	85 ft ² (7.8 m ²)
Defrost type	Recirculation
Filters	Two (2) Fiberbond washable
Drain Connection	1/2" (12.7 mm)
DuoTrol	Integrated Balancing System
Actual Weight	45.5 lbs (20.6 Kg)
Shipping Weight	50 lbs (22.7 Kg)
Certification	HVI, cCSAUS, CSA 22.2 N ^o .113 Complies with UL 1812

OPTIONAL WALL CONTROLS

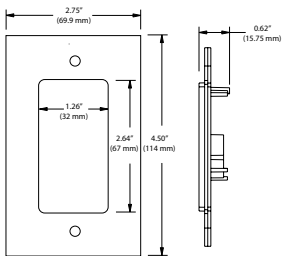
Mechanical	RD-1, EHC1.0TC and EHC1.5DC
Timers	T3 (20, 40, 60 minutes)

WALL CONTROL DIMENSIONS

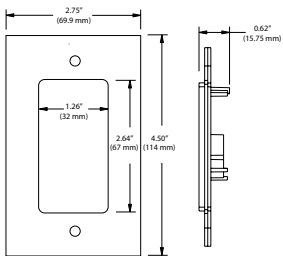
RD-1



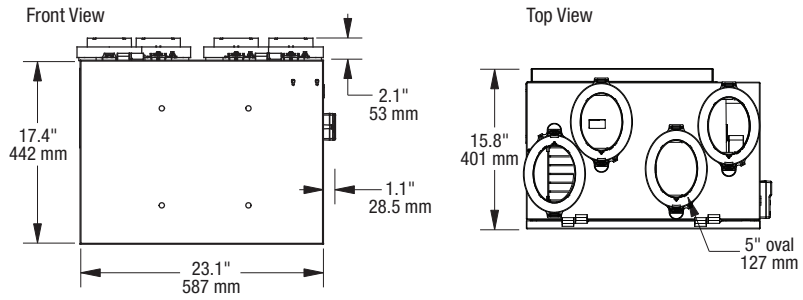
EHC1.0TC and EHC1.5DC



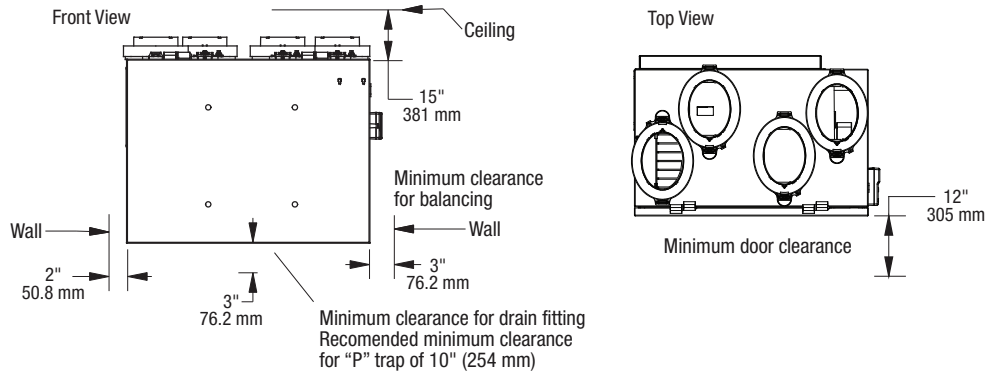
T3 Timer



DIMENSIONS DATA

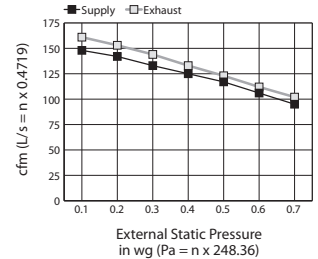


MINIMUM CLEARANCE DATA



VENTILATION PERFORMANCE

External Static Pressure	Net Supply Air Flow		Gross Air Flow Supply		Gross Air Flow Exhaust		
	Pa	in. wg	L/s	CFM	L/s	CFM	L/s
25	0.1	69	146	70	148	76	161
50	0.2	66	140	67	142	72	153
75	0.3	62	131	63	133	68	144
100	0.4	58	123	59	125	63	133
125	0.5	54	114	55	117	58	123
150	0.6	49	104	50	106	53	112
175	0.7	44	93	45	95	48	102



This product earned the ENERGY STAR® by meeting strict energy efficiency guidelines set by Natural Resources Canada and the US EPA. It meets ENERGY STAR® requirements only when used in Canada.

ENERGY PERFORMANCE

	Supply Temperature		Net Air Flow		Power Consumed	Sensible Recovery Efficiency	Adjusted Sensible Recovery Efficiency
	°C	°F	L/s	CFM	Watts	SRE %	ASRE %
HEATING	0	32	24	51	52	75	82
	0	32	30	64	58	73	79
	0	32	40	85	70	69	75
	-25	-13	32	68	66	65	68
	-25	-13	25	53	56	64	67

Quoted by:	Date:
Project:	Remarks:
Quantity:	
Model:	
Site:	
Architect:	
Engineer:	
Contractor:	